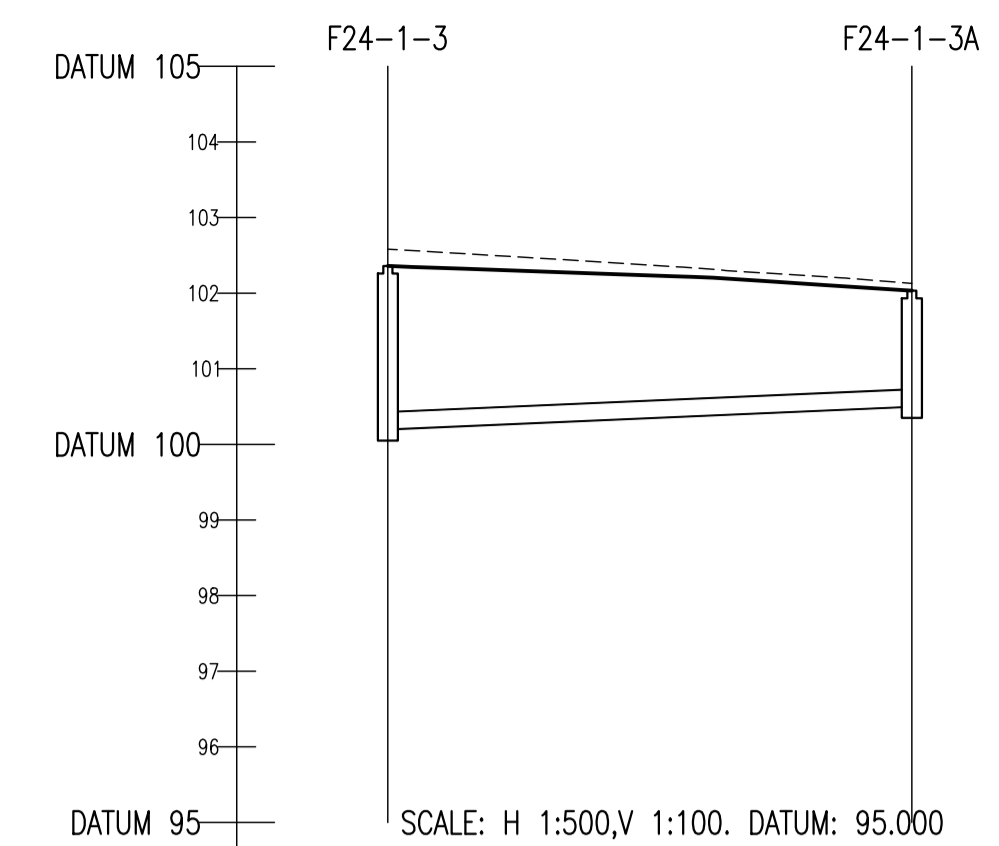
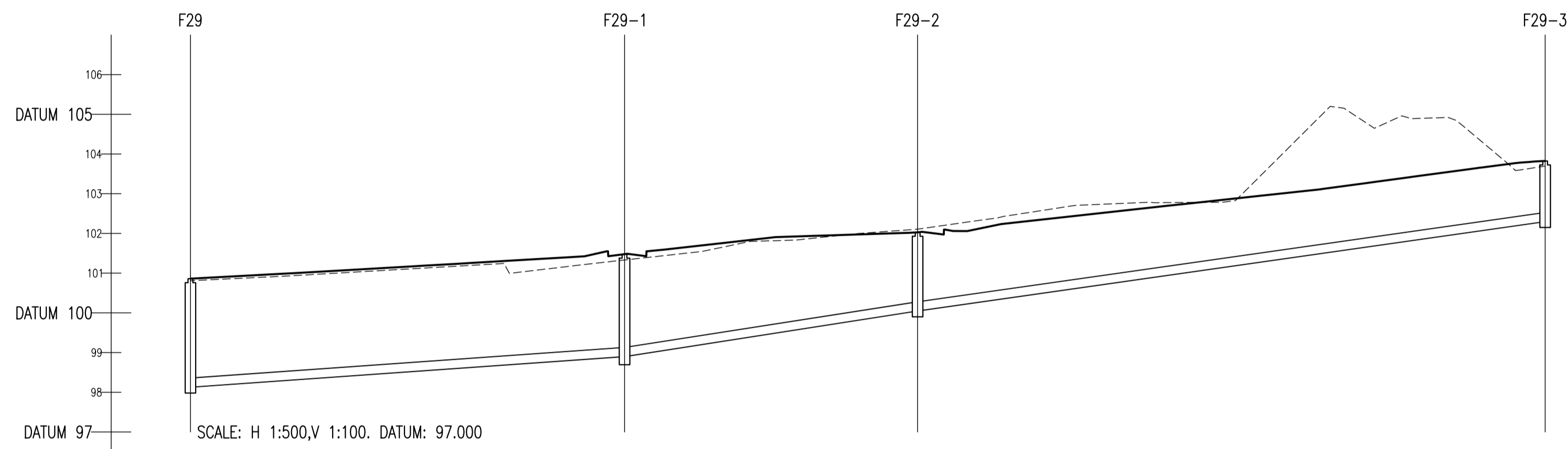


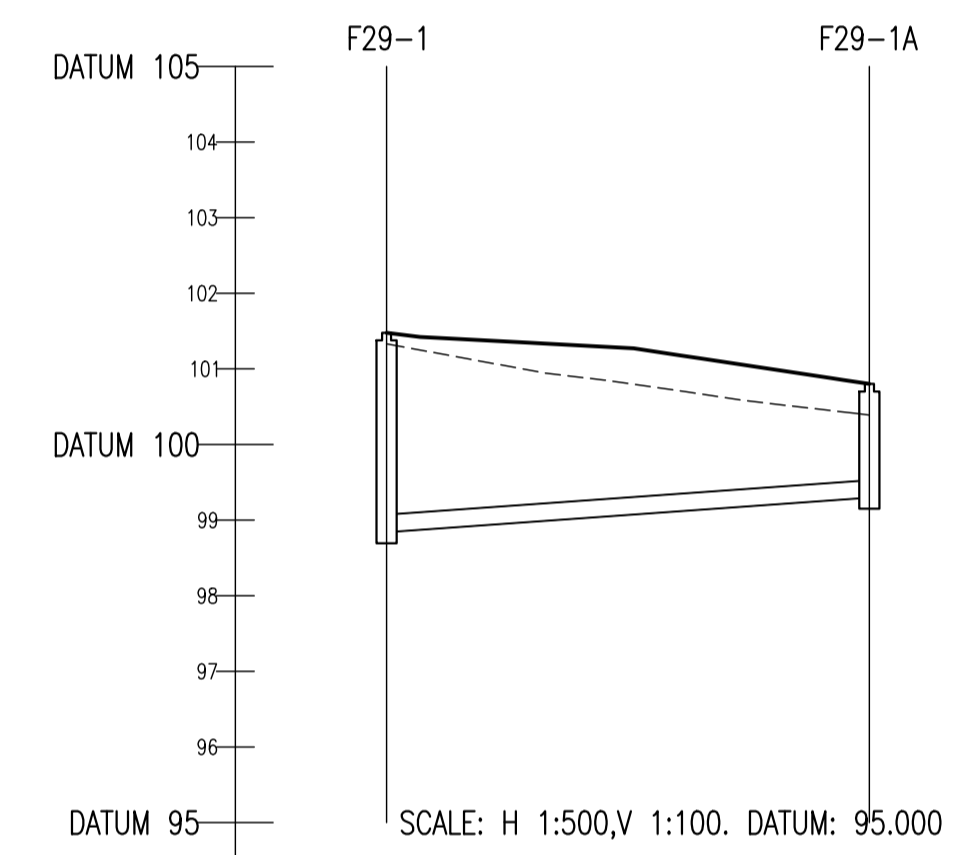
COVER LEVEL	100.900	100.780	101.115	102.360	102.634
INVERT LEVEL	98.285	98.104	99.254	100.200	101.300
DEPTH (m)	2.615	2.676	1.861	2.160	1.334
DISTANCE (m)	3.23	59.72	75.67	49.81	
PIPE SLOPE	1:47	1:52	1:80	1:45	
PIPE SIZE	225mm	225mm	225mm	225mm	



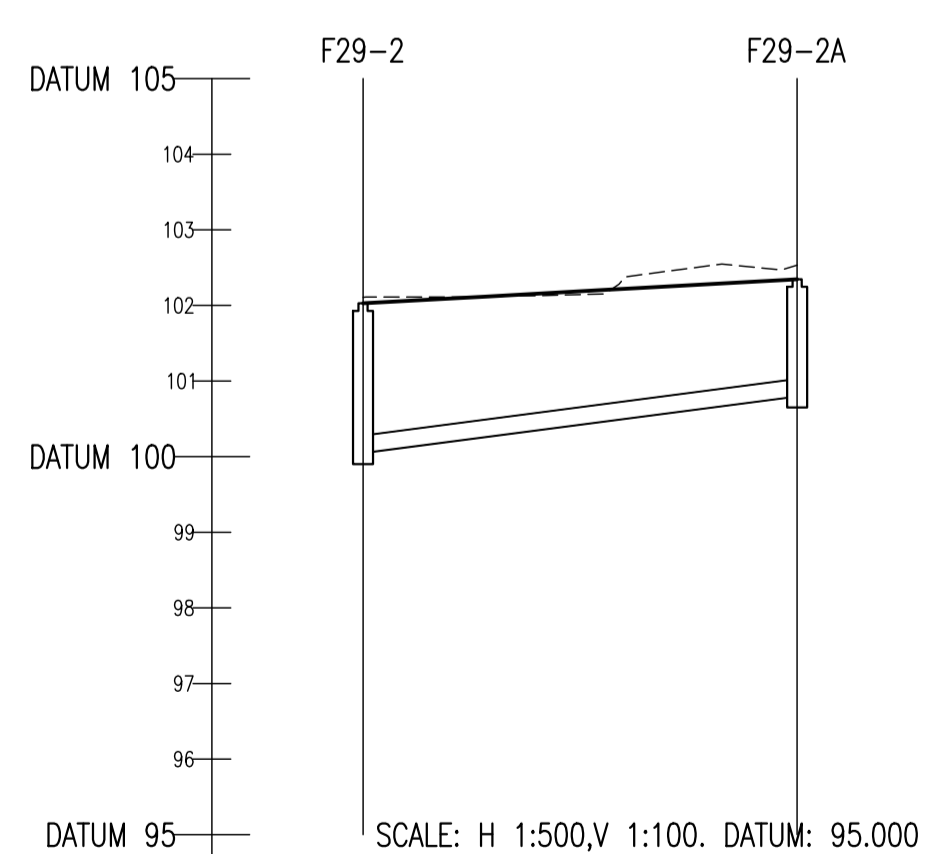
COVER LEVEL	102.360	102.032
INVERT LEVEL	100.200	100.500
DEPTH (m)	2.160	1.532
DISTANCE (m)	34.66	
PIPE SLOPE	1:116	
PIPE SIZE	225mm	



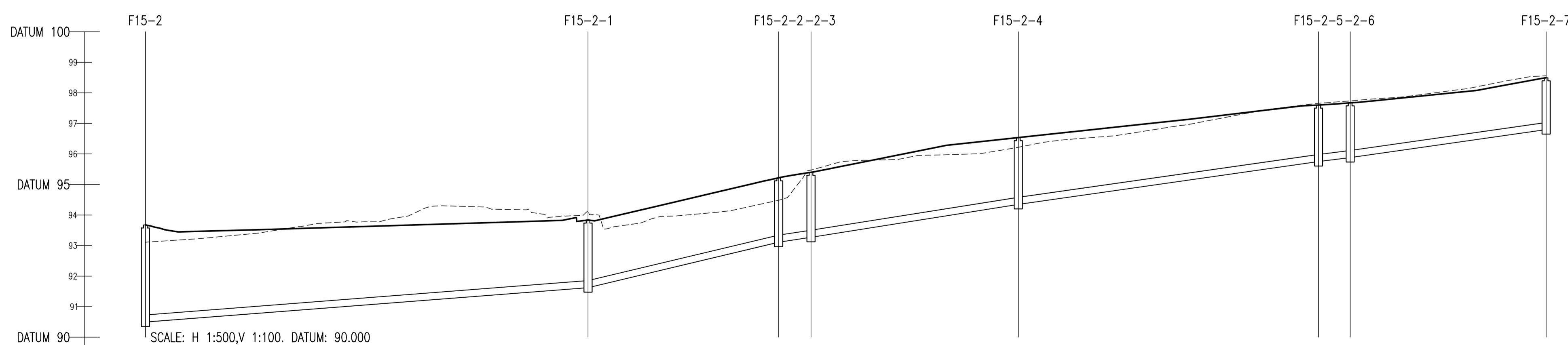
COVER LEVEL	100.860	101.478	102.027	103.825
INVERT LEVEL	98.130	98.901	100.050	102.300
DEPTH (m)	2.730	2.634	1.977	1.525
DISTANCE (m)		54.73	36.95	79.12
PIPE SLOPE		1:71	1:32	1:35
PIPE SIZE		225mm	225mm	225mm



COVER LEVEL	101.478	100.801
INVERT LEVEL	98.844	99.300
DEPTH (m)	2.634	1.501
DISTANCE (m)	31.93	
PIPE SLOPE	1:70	
PIPE SIZE	225mm	

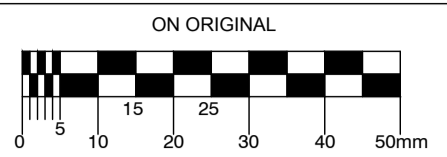


COVER LEVEL	102.027	102.346
INVERT LEVEL	100.060	100.800
DEPTH (m)	1.977	1.546
DISTANCE (m)	28.71	
PIPE SLOPE	1:38	
PIPE SIZE	225mm	



COVER LEVEL	93.675	93.836	95.219	95.597	96.536	97.674	98.493
INVERT LEVEL	90.500	91.625	92.414	93.274	94.351	95.754	96.800
DEPTH (m)	3.175	2.211	2.105	2.123	2.185	1.845	1.693
DISTANCE (m)		14.006	14.005	5.28	33.90	14.003	32.05
PIPE SLOPE		1:64	1:21	1:33	1:31	1:35	1:35
PIPE SIZE		225mm	225mm	225mm	225mm	225mm	225mm

© COPYRIGHT OF THIS DRAWING IS RESERVED BY DBFL CONSULTING ENGINEERS. NO PART SHALL BE REPRODUCED OR TRANSMITTED WITHOUT THEIR WRITTEN PERMISSION.



- NOTES:
- ALL DRAWINGS TO BE CHECKED BY CONTRACTOR ON SITE AND ENGINEER INFORMED OF DISCREPANCIES BEFORE WORK COMMENCES
  - ALL LEVELS ARE IN METRES AND ARE RELATED TO ORDNANCE DATUM
  - CONTRACTOR SHALL SATISFY HIMSELF AS TO THE ACCURACY OF PAVEMENT LEVELS ON SITE PRIOR TO COMMENCEMENT OF WORKS ON SITE
  - ALL WORKS TO BE CONSTRUCTED IN ACCORDANCE WITH THE NRA SPECIFICATION FOR ROAD WORKS UNLESS NOTED OTHERWISE
  - THIS DRAWING IS FOR PLANNING PURPOSES ONLY
  - MANHOLE COVER LEVELS ARE TO CONFORM WITH FINISHED ROAD AND PATH LEVELS
  - WHERE COVER TO PIPE IS LESS THAN 1200mm (ROAD/PATH/VERGE) OR 900mm (OPEN SPACE) SURROUND PIPE IN MINIMUM 150mm CONCRETE

KEY

- - - - - EXISTING GROUND PROFILE
- PROPOSED GROUND PROFILE

REV	DATE	DESCRIPTION	BY	CHKD
<b>PLANNING</b>				
DESIGNED	NCG	PREPARED	PJC	
DATE	SEP 2019	CHECKED	DJR	

**DBFL**  
 Dublin Office: Ormrod House,  
 Upper Ormrod Quay, Dublin 7, Ireland.  
 PHONE +353 1 400 4000  
 FAX +353 1 400 4050  
 WATERFORD OFFICE: Unit 2, The Chandlery,  
 1-2 O'Connell Street, Waterford, Ireland.  
 PHONE +353 51 338 550  
 FAX +353 51 844 913

DBFL Consulting Engineers email: info@dbfl.ie site: www.dbfl.ie

PROJECT  
**LANDS AT NEWCASTLE, SOUTH DUBLIN**

DRG. TITLE  
**LONGITUDINAL SECTIONS THROUGH FOUL SEWER SHEET 3**

ARCHITECT  
**MOLA**

SCALE H 1:500, V 1:100 @A1 FILE REF. 170024-3025  
 DRG. NO. **170024-3027**